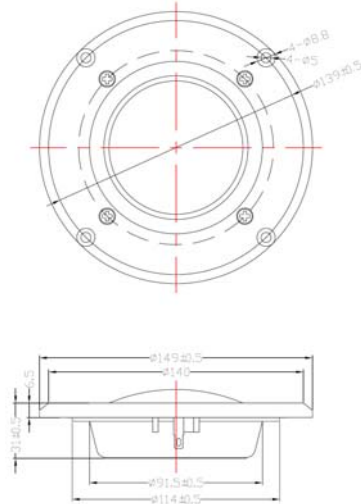


## Midrange



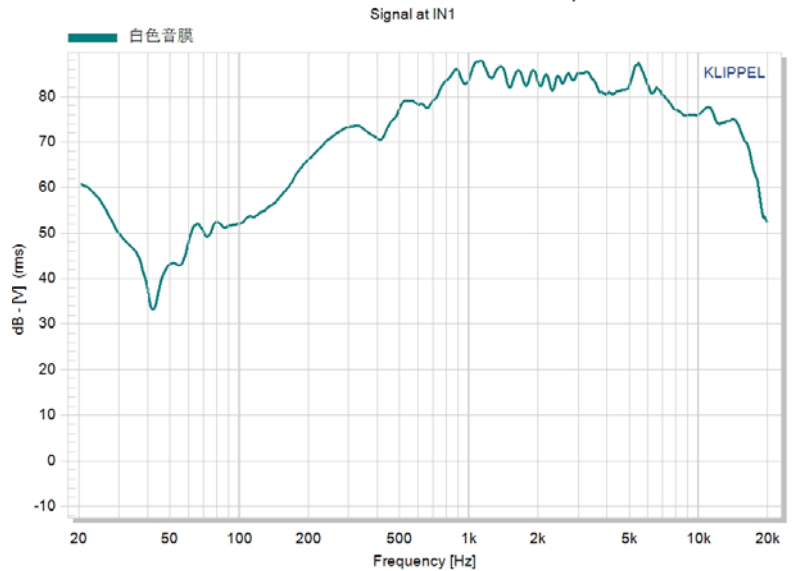
## Model : HR150B4-RC11M



## Specifications & Thiele/Small Parameters

<b>Impedance</b>	: 4 Ohm
<b>Minimum Frequency Response</b>	: 500Hz
<b>Reproduction Frequency Response</b>	: Fo~20KHz
<b>S.P.L.</b>	: 83dB/W(m)
<b>Rated Input</b>	: 30W
<b>Music Power</b>	: 50 W
<b>Equivalent Diagram Radius</b>	: 43mm
<b>Equivalent Mass</b>	: 4.914 g
<b>Magnet Weight</b>	: 280g
<b>Net Weight</b>	: 1580g
<b>Fs</b>	: 500Hz
<b>Re</b>	: 3.76 Ohm
<b>Mms</b>	: 4.654g
<b>BL</b>	: 2.116 TM
<b>Qts</b>	: 0.694
<b>Qms</b>	: 0.892
<b>Qes</b>	: 3.134
<b>Vas</b>	: 1.447Ltr
<b>Xmax</b>	: -0.25 mm
<b>no</b>	: 0.1 %
<b>no</b>	: 0.1%
<b>Material</b>	<b>Frame</b> : Aluminum Anodic Plating Black
	<b>Dome</b> : Fabric Dome ( Gray )
	<b>Surround</b> : Cloth
	<b>VC DIA</b> : Φ75.5 KAP 0.1*0.5 CCAR
	<b>Magnet</b> : Φ70*Φ32*18 Y30
	<b>Sub-Magnet</b> : Φ46*Φ28*5 Neodymium

Fundamental + Harmonic distortion components



Magnitude of transfer function H(f)

